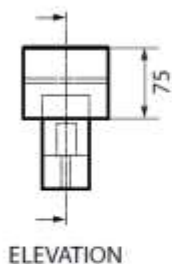
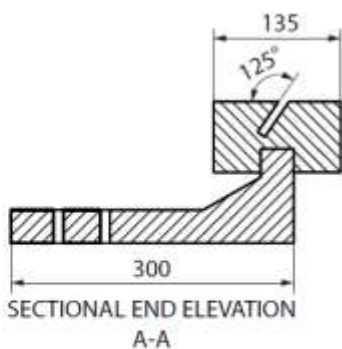
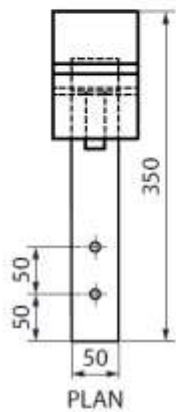
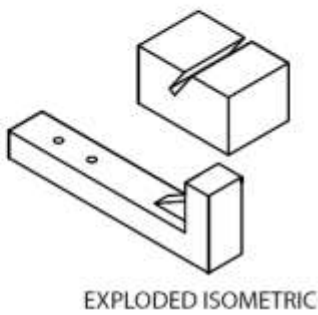
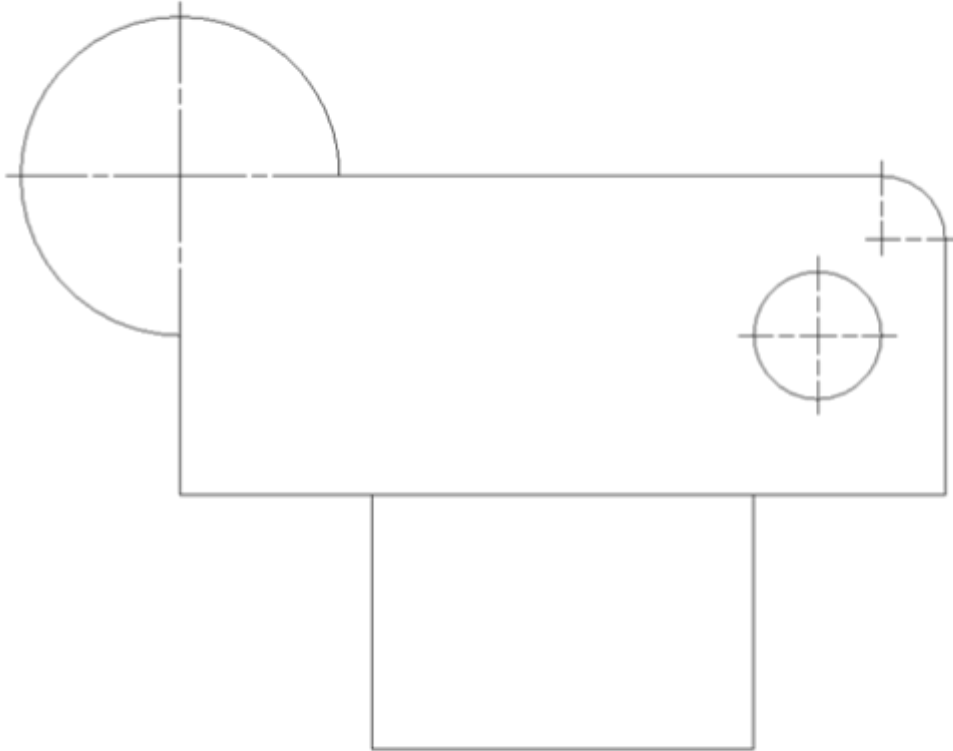




Dimensioning—1

1: Fully Dimension the following object to British Standards.



The drawing to the left has **FIVE** pieces of information that are not to British Standards. Identify them by circling them on the drawing, and detail what is wrong below:



Irvine Royal Academy
Technical Education Department

Name _____

Date _____

Design Principles Homework

Using the attached leaflet, write numbers on it identifying at least six of the following Design Principles and make some comments regarding them::

- 1 Unity _____
- 2 Line _____
- 3 Alignment _____
- 4 Balance _____
- 5 Contrast _____
- 6 Depth _____
- 7 Dominance _____
- 8 Harmony _____
- 9 Shape _____
- 10 Colour _____



Irvine Royal Academy
Technical Education Department

Name _____

Date _____

Design Principles Homework

Using the attached leaflet, write numbers on it identifying at least six of the following Design Principles And make some comments regarding them:

- 1 Colour Fill _____
- 2 Rotation _____
- 3 Mirror _____
- 4 Transparency _____
- 5 Drop Shadow _____
- 6 Reverse _____
- 7 Cropping _____
- 8 Text Wrap _____
- 9 Flow Text _____
- 10 Bleed _____