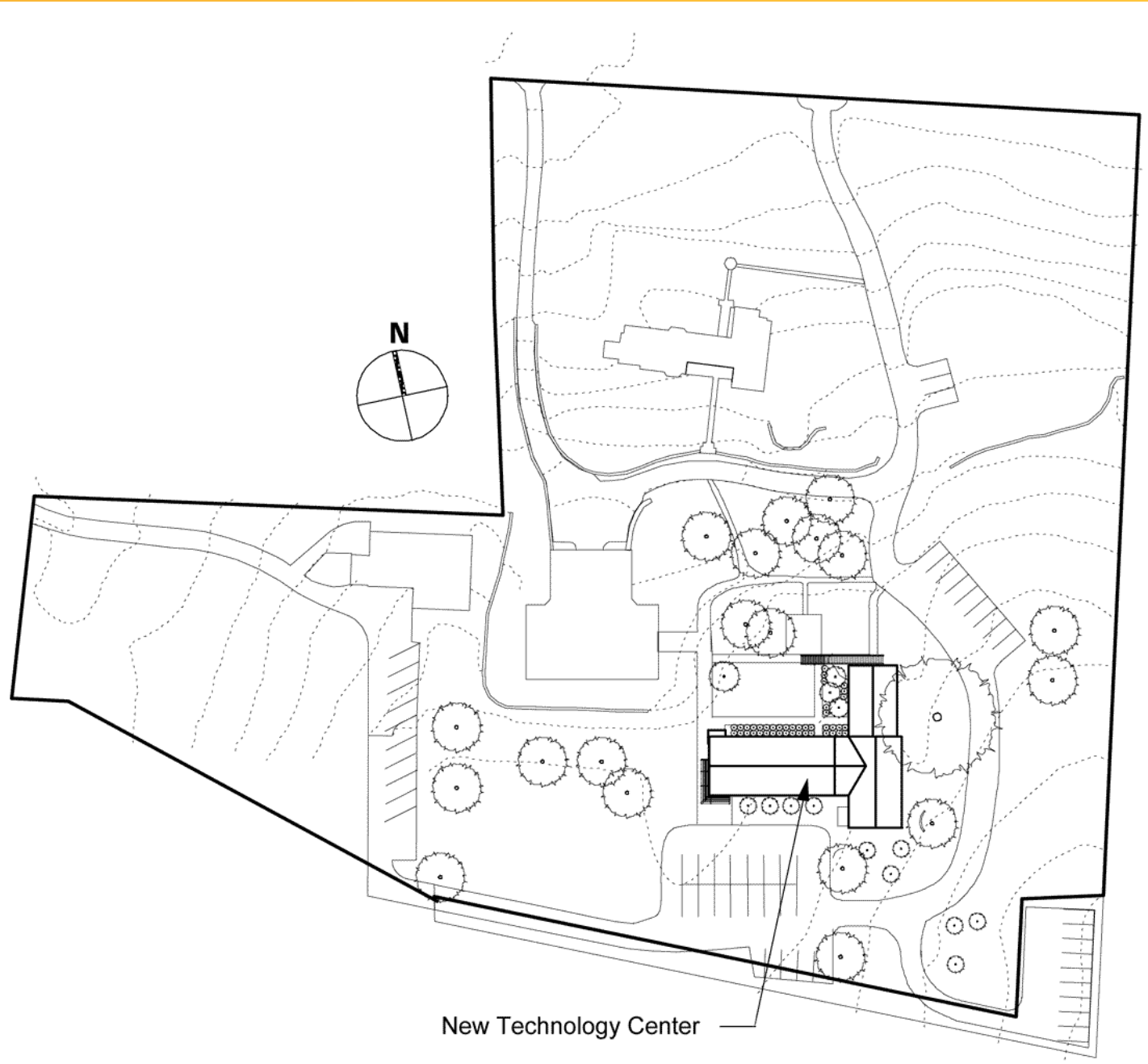


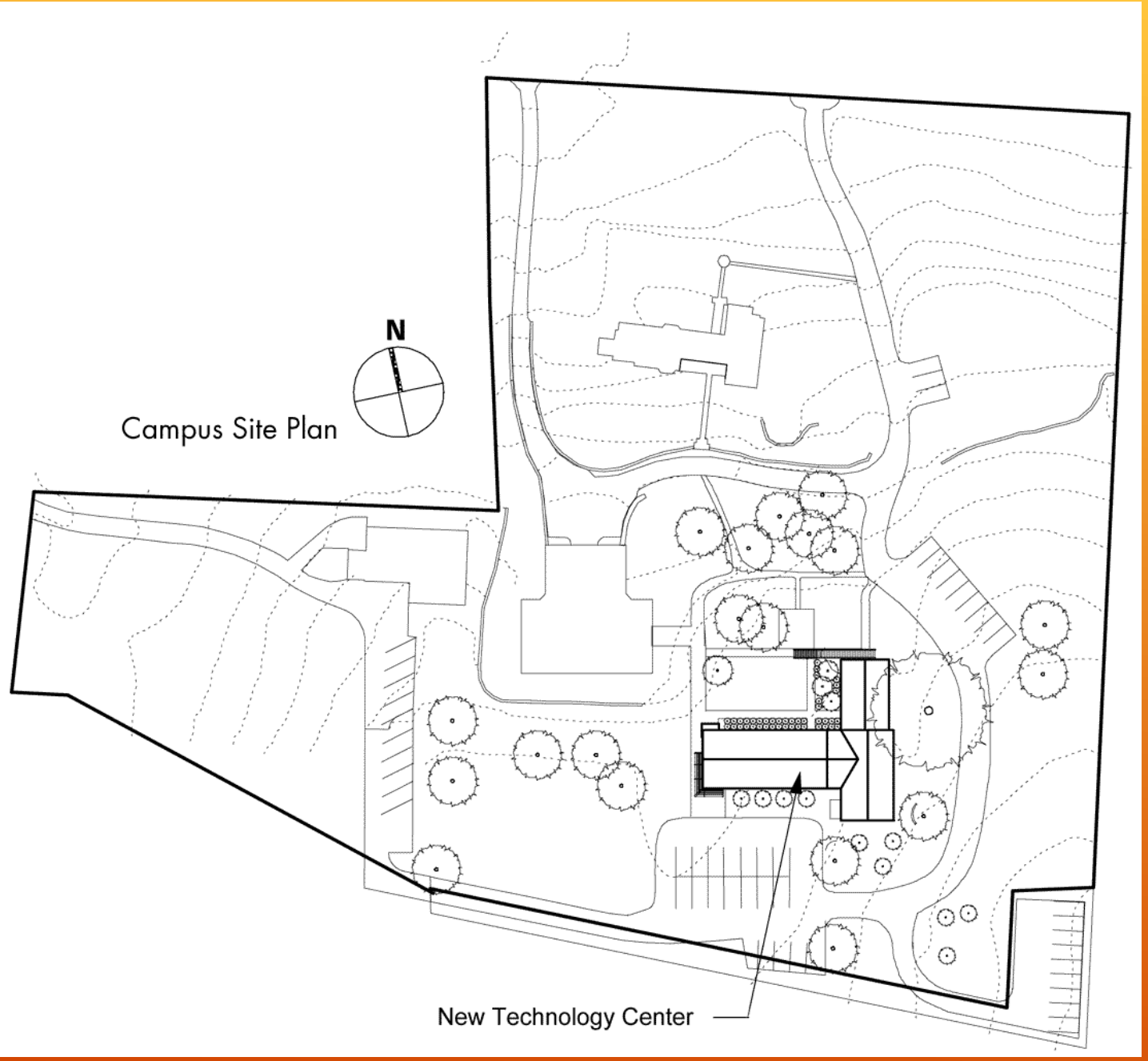
GRAPHIC COMMUNICATION NATIONAL 5 REVISION

Irvine Royal Academy

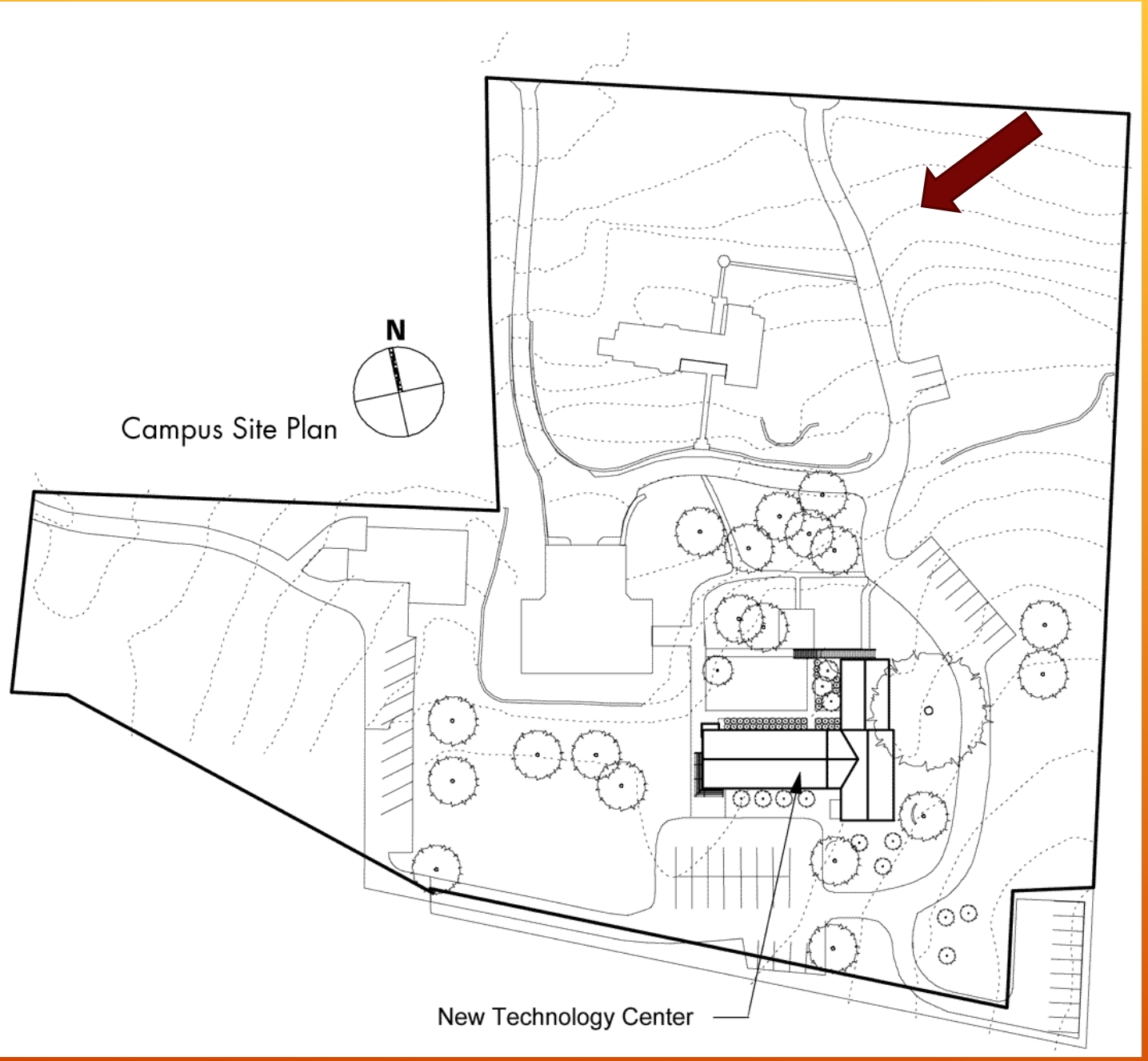




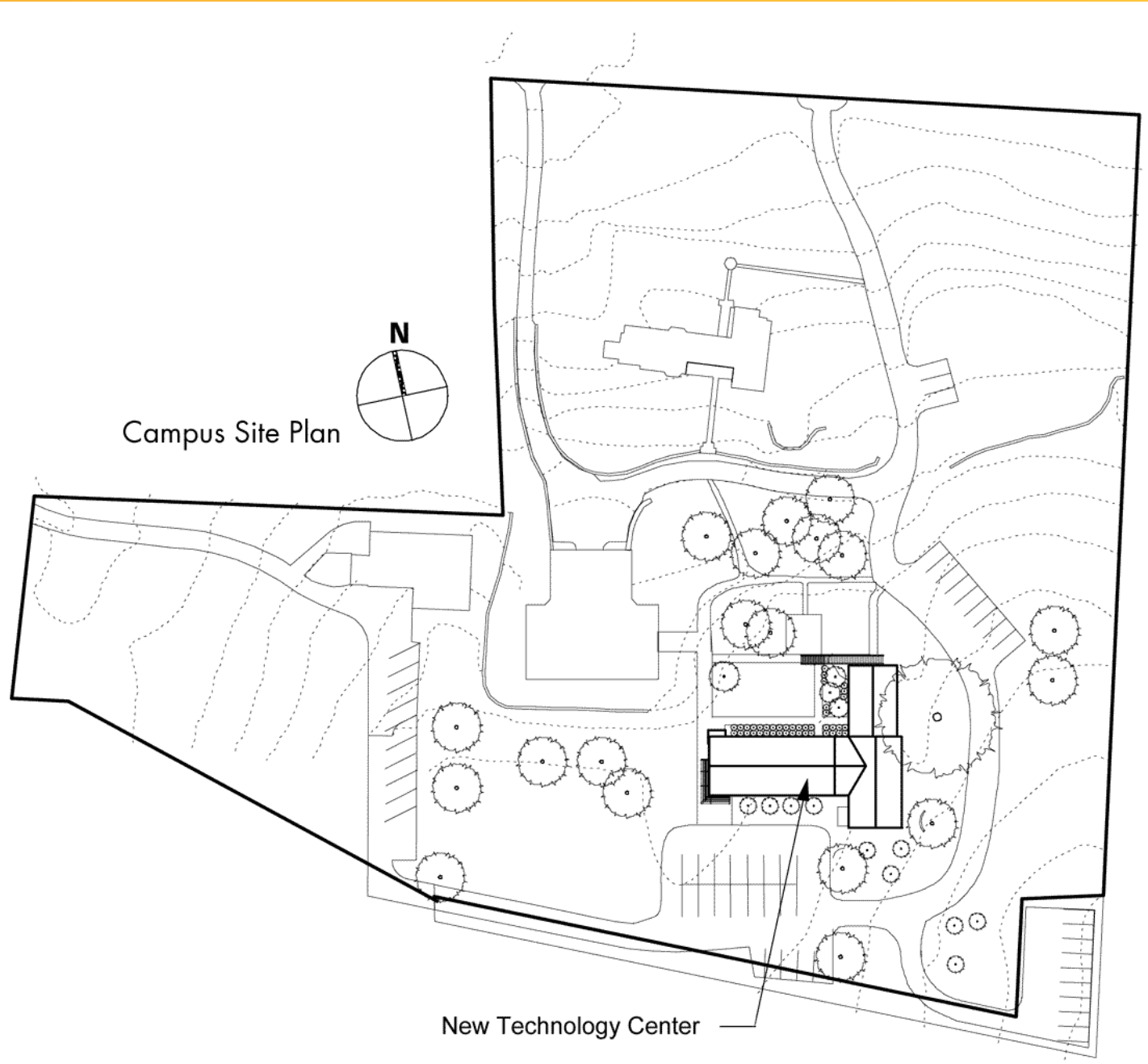
1 This Drawing is an example of a...?



2 Is the North
Symbol drawn to
British Standards?

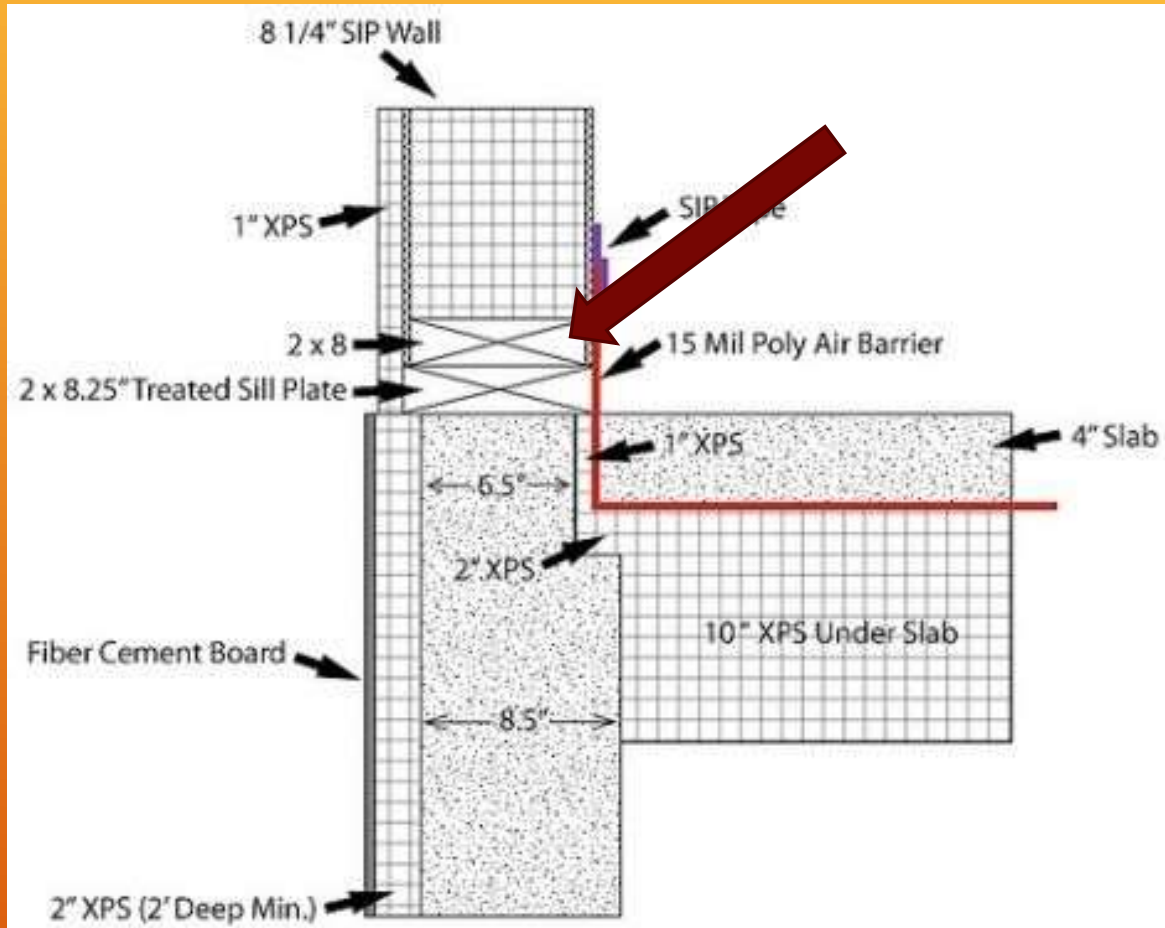


3 What do these lines represent?

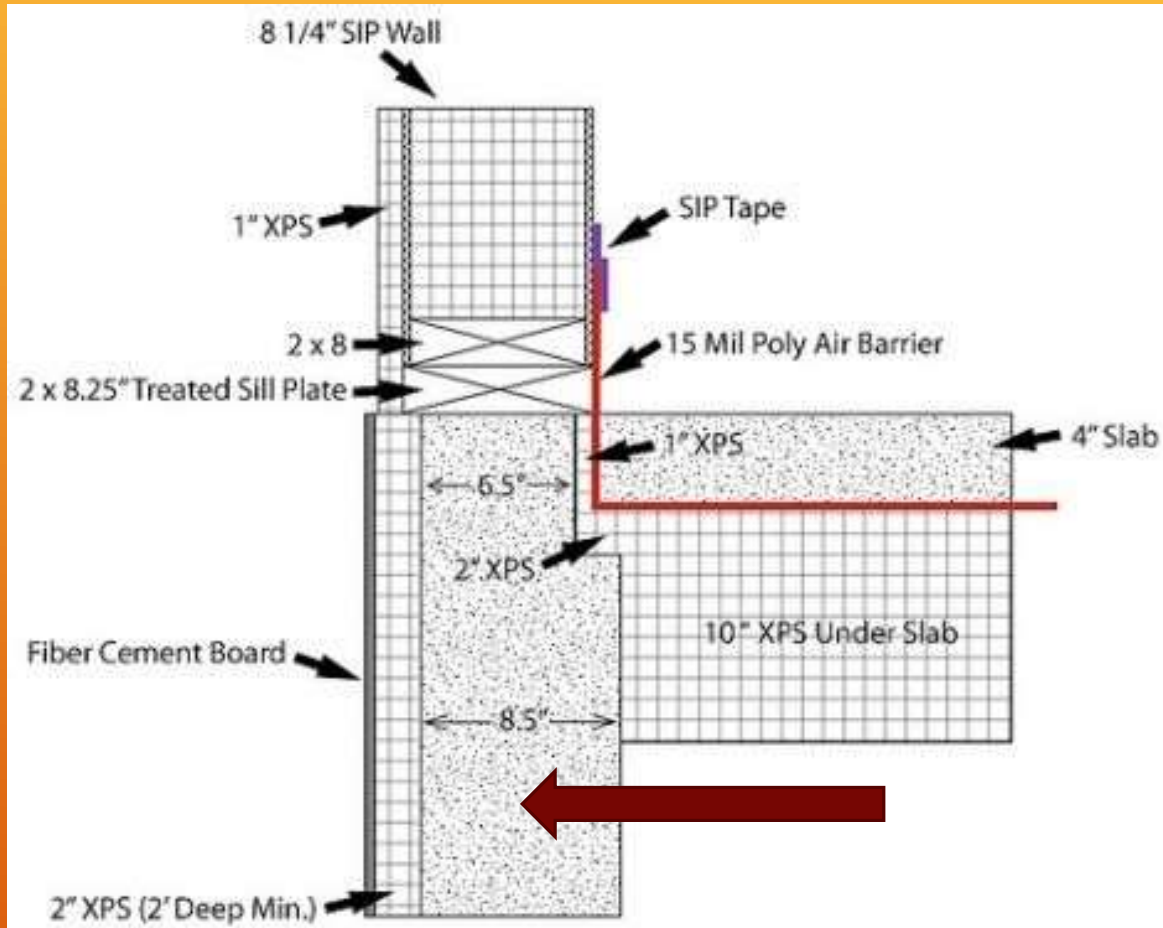


4 Which of these is a suitable Scale for this type of drawing?

- 1:50
- 1:200
- 1:1,250
- 1:25,000



5 What does this symbol represent?



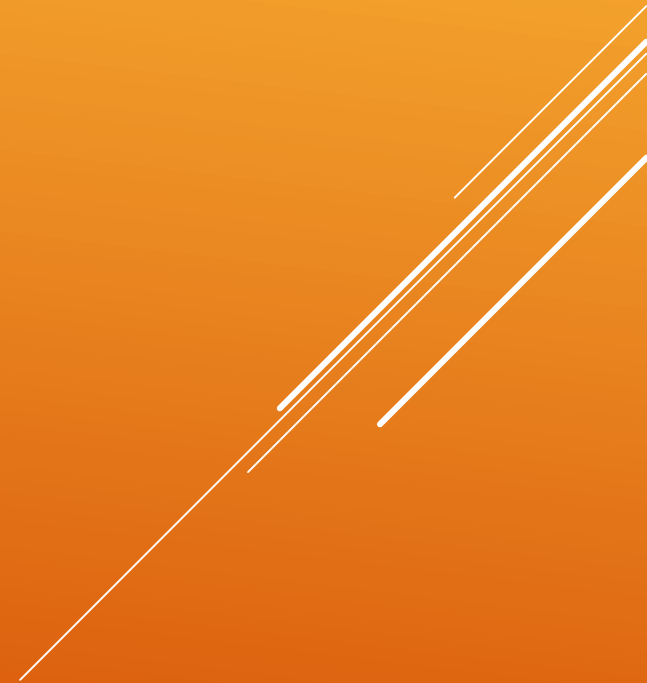
6 What does this symbol represent?

7 List three
Secondary Colours

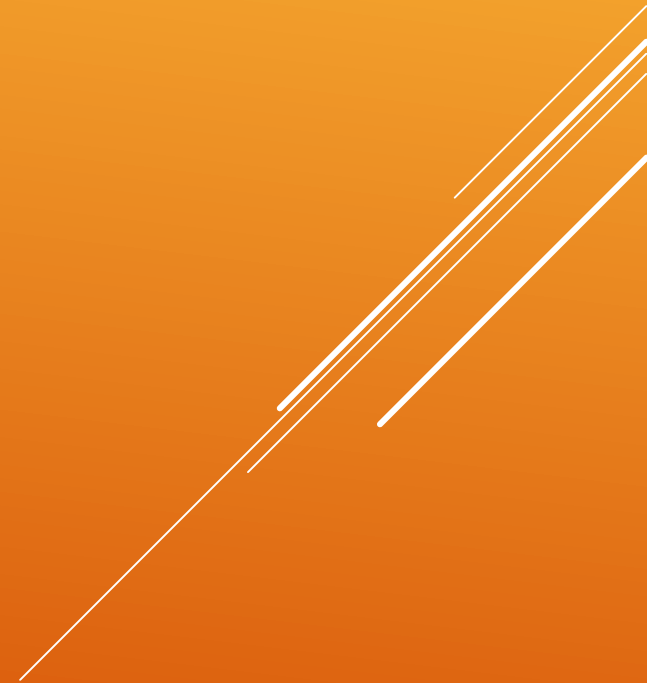




8 What colour is the best Contrast with Red?

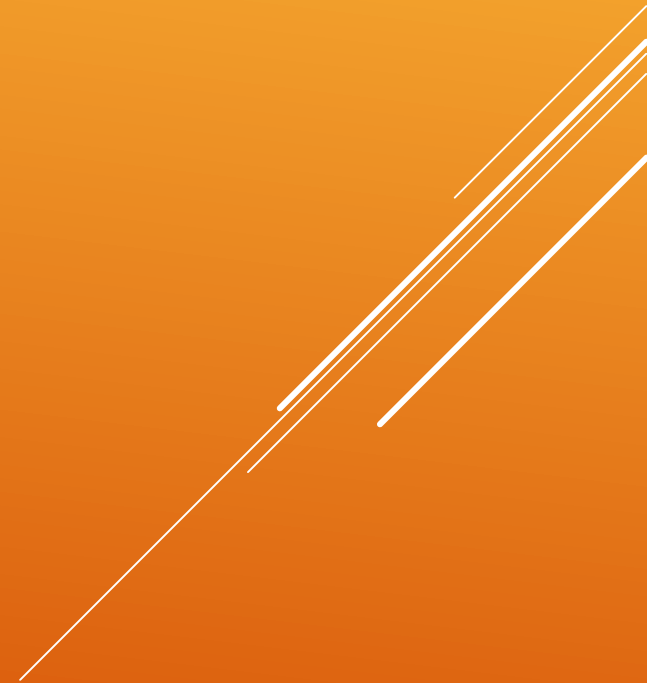


9 Name two
Advancing colours





10 Name two
Receding colours.



11 What do we call this area of the advert?



12 What word describes the Red label and the text?



13 What helps to create Depth in this advert?



LAMBORGHINI AVENTADOR LP 700-4

700 HP, 350 KM/H, 0-100 KM/H IN 2.9 SEC

BUILT IN ITALY. JUST ARRIVED FROM THE FUTURE. UNCOMPROMISING, EXTREME, ITALIAN. THESE VALUES ARE THE REASON WHY EVERY SINGLE LAMBORGHINI IS BREATHTAKINGLY UNIQUE.



14 What feeling is created by the colour of the car?

15 What sort of font is used in the title?



LAMBORGHINI AVENTADOR LP 700-4

700 HP, 350 KM/H, 0-100 KM/H IN 2.9 SEC

BUILT IN ITALY. JUST ARRIVED FROM THE FUTURE. UNCOMPROMISING, EXTREME, ITALIAN. THESE VALUES ARE THE REASON WHY EVERY SINGLE LAMBORGHINI IS BREATHTAKINGLY UNIQUE.



LAMBORGHINI AVENTADOR LP 700-4

700 HP, 350 KM/H, 0-100 KM/H IN 2.9 SEC

BUILT IN ITALY. JUST ARRIVED FROM THE FUTURE. UNCOMPROMISING, EXTREME, ITALIAN. THESE VALUES ARE THE REASON WHY EVERY SINGLE LAMBORGHINI IS BREATHTAKINGLY UNIQUE.



16 What sort of justification is used in the title?

LAMBORGHINI AVENTADOR LP 700-4

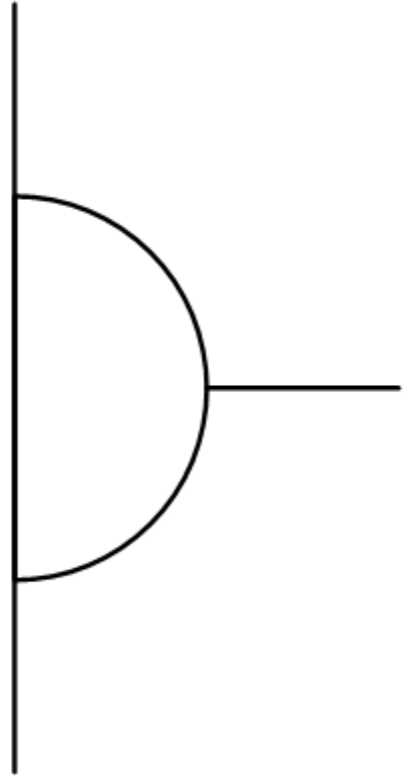
700 HP, 350 KM/H, 0-100 KM/H IN 2.9 SEC

BUILT IN ITALY. JUST ARRIVED FROM THE FUTURE. UNCOMPROMISING, EXTREME, ITALIAN. THESE VALUES ARE THE REASON WHY EVERY SINGLE LAMBORGHINI IS BREATHTAKINGLY UNIQUE.

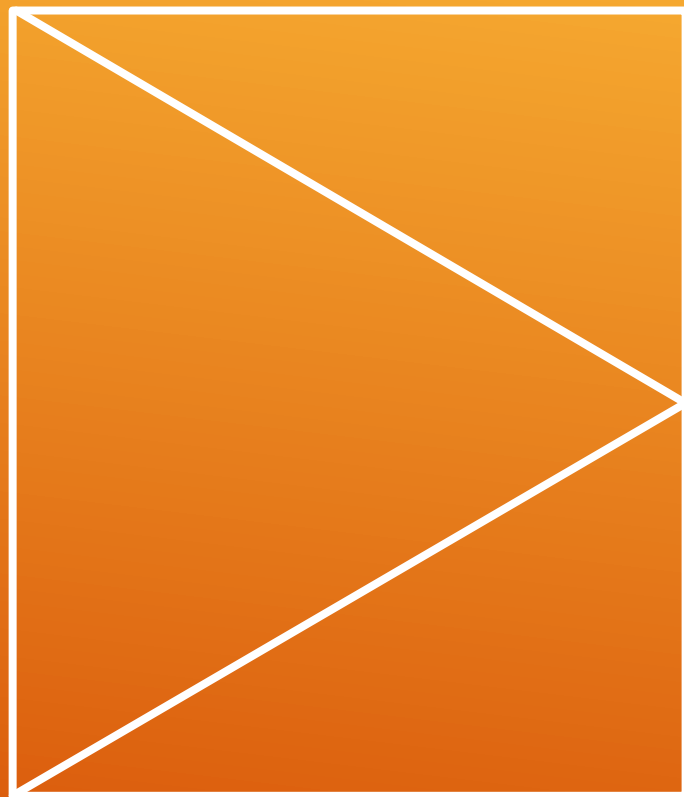


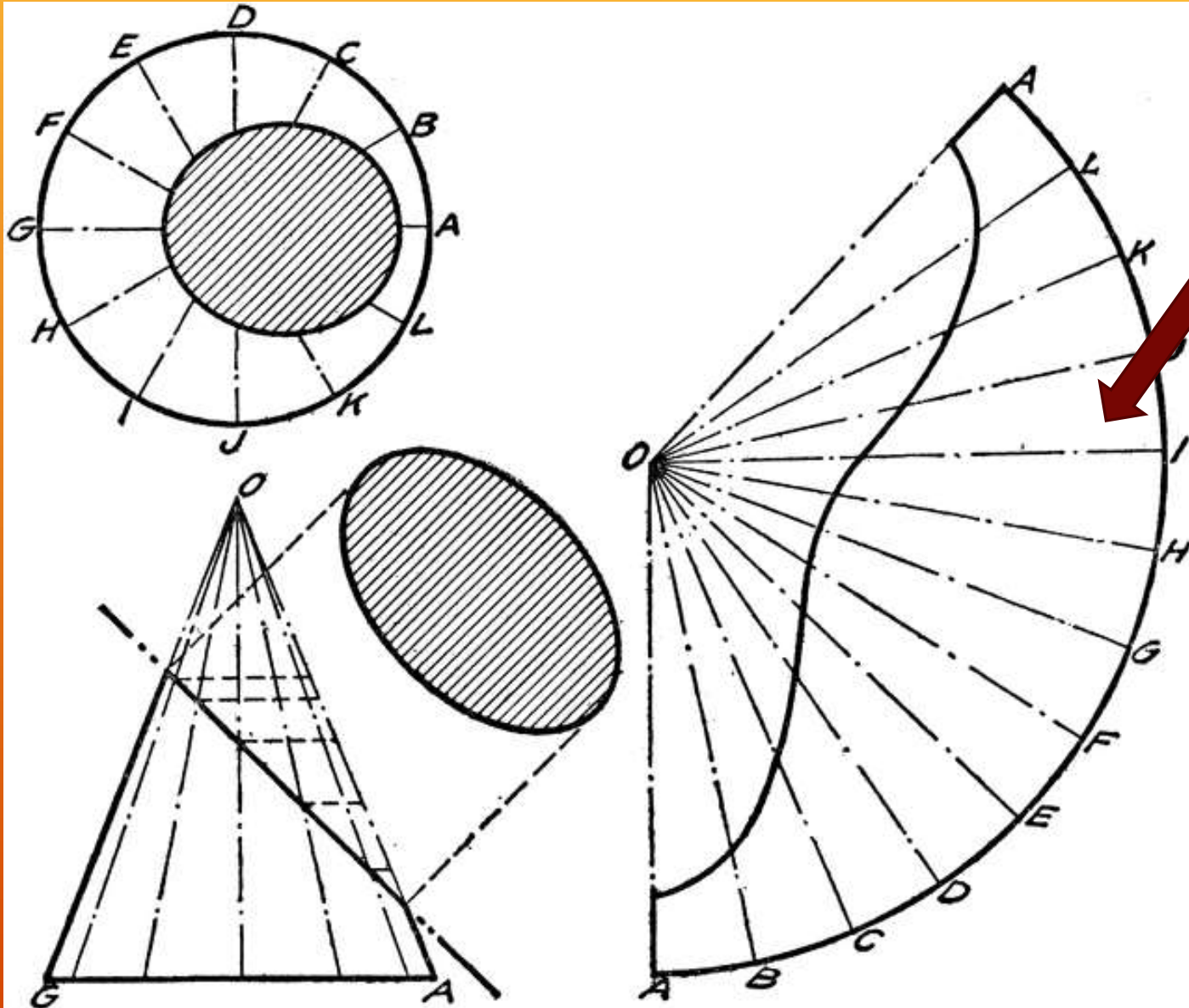
17 What word describes the fact that the front of the car and the text box is in line with each other?

18 What does this symbol represent?

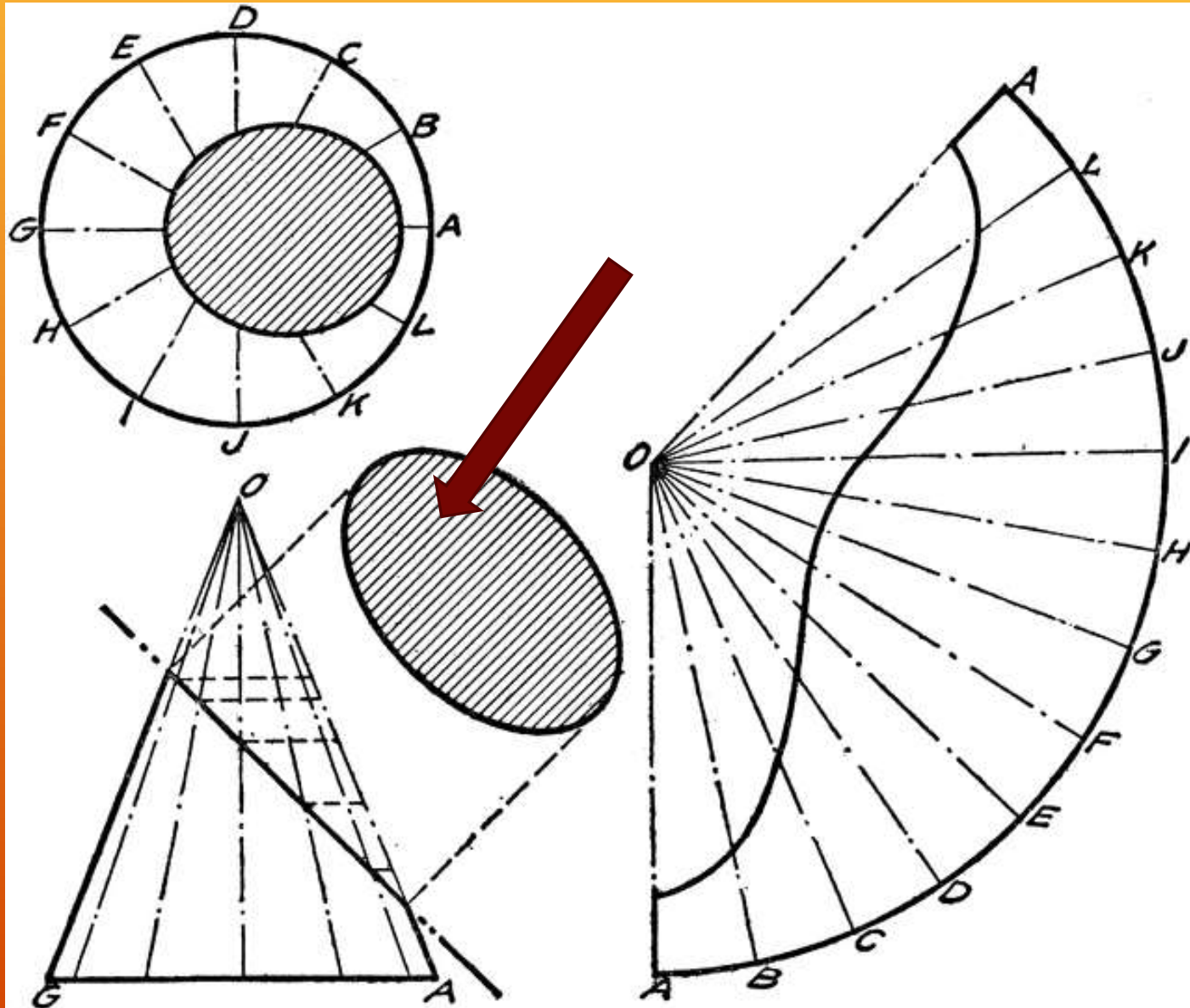


19 What does this symbol represent?

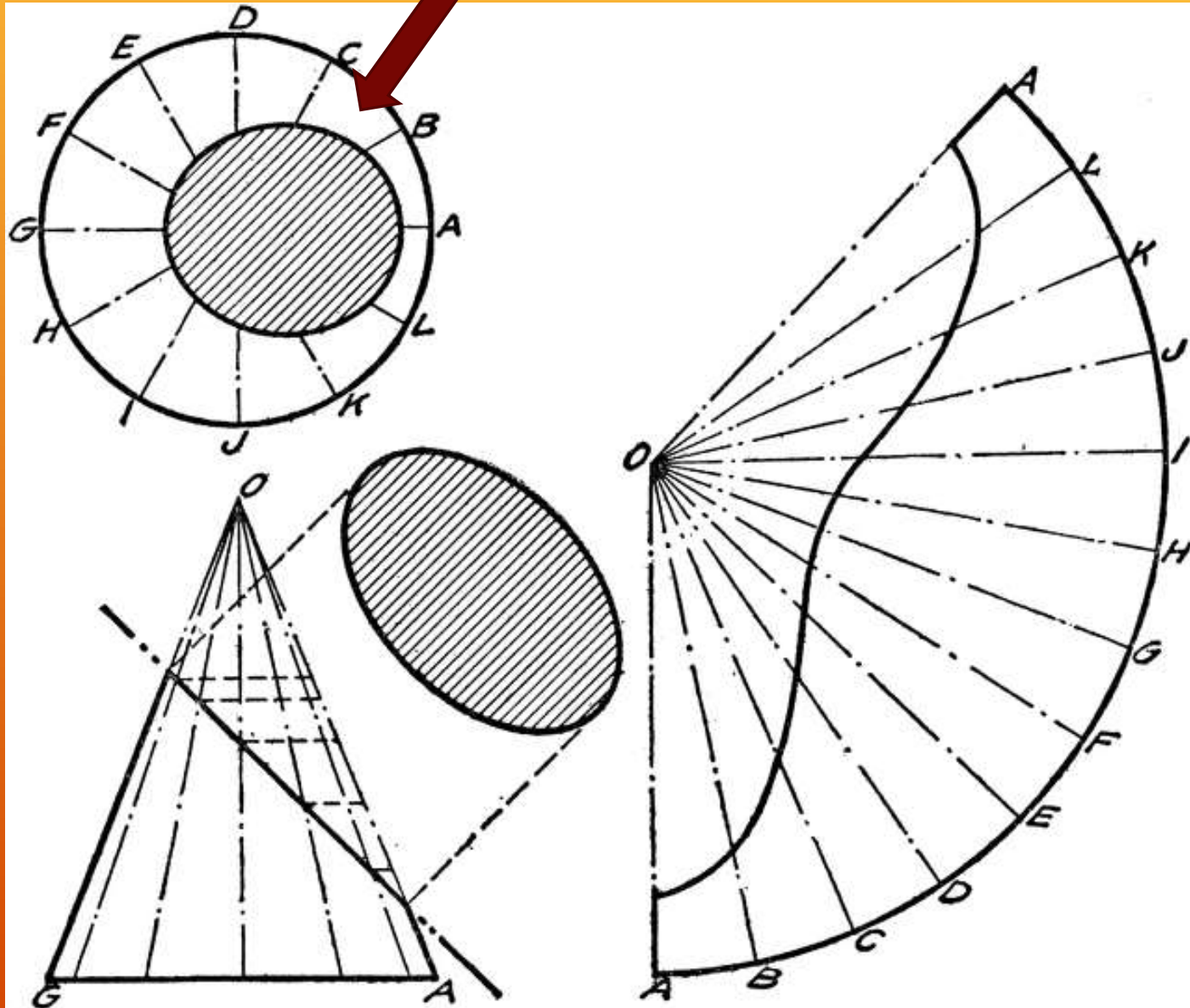




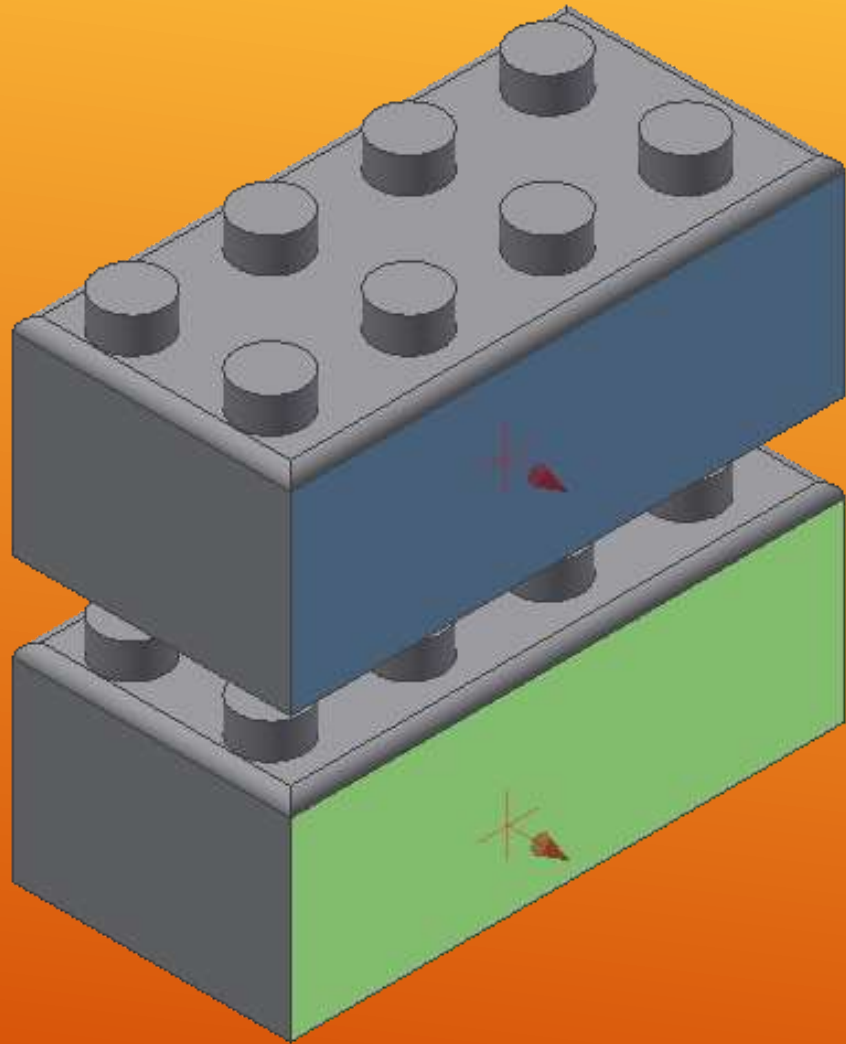
20 What is the name of this view?



21 What is the name of this view?

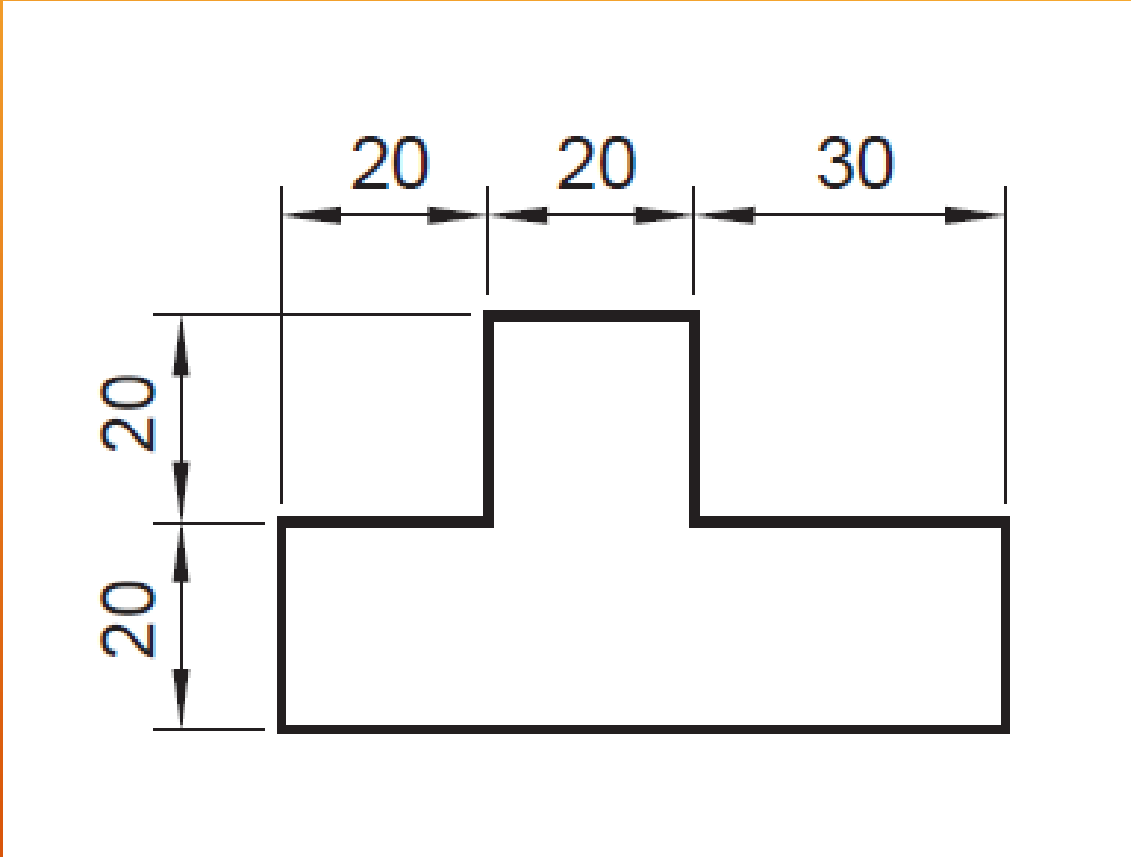


22 What is the name of this view?

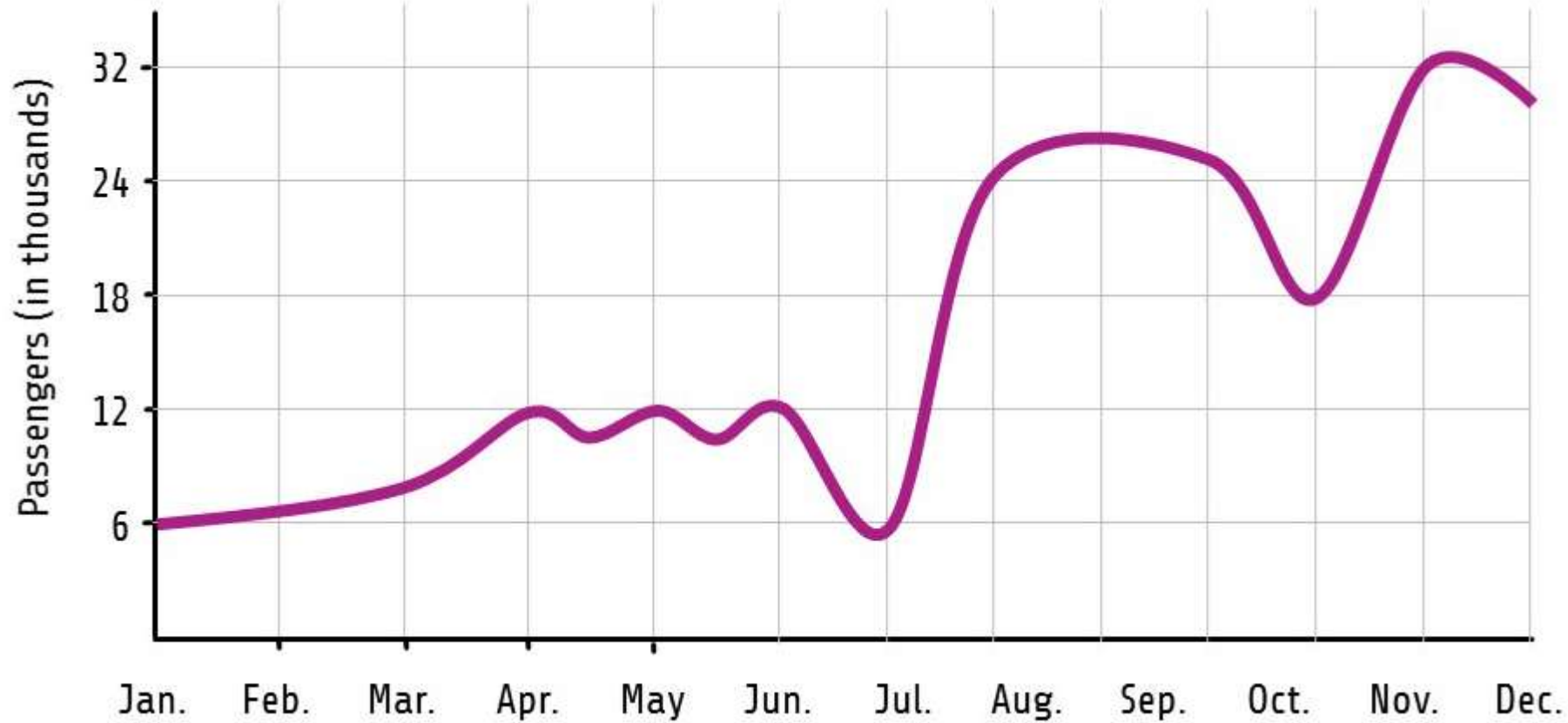


23 When assembling the blocks on top of each other, what type of Constraint would be used for these two surfaces?

24 What sort of dimensioning is used here?



25 What is the name of this type of graph?



26 What is the name of the 3D CAD process used from Step 1 to Step 2?



Step 1



Step 2



Step 3



Step 4

27 What is the name of the 3D CAD process used to carry out the process from 2 to 3?



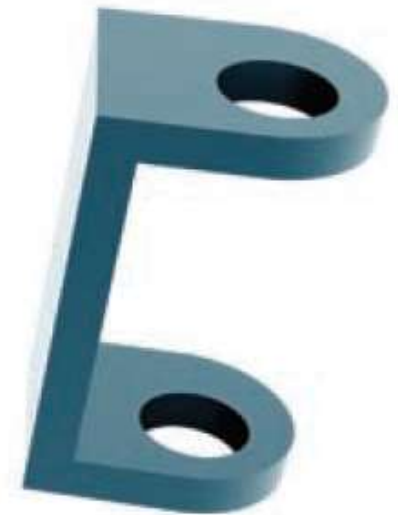
Step 1



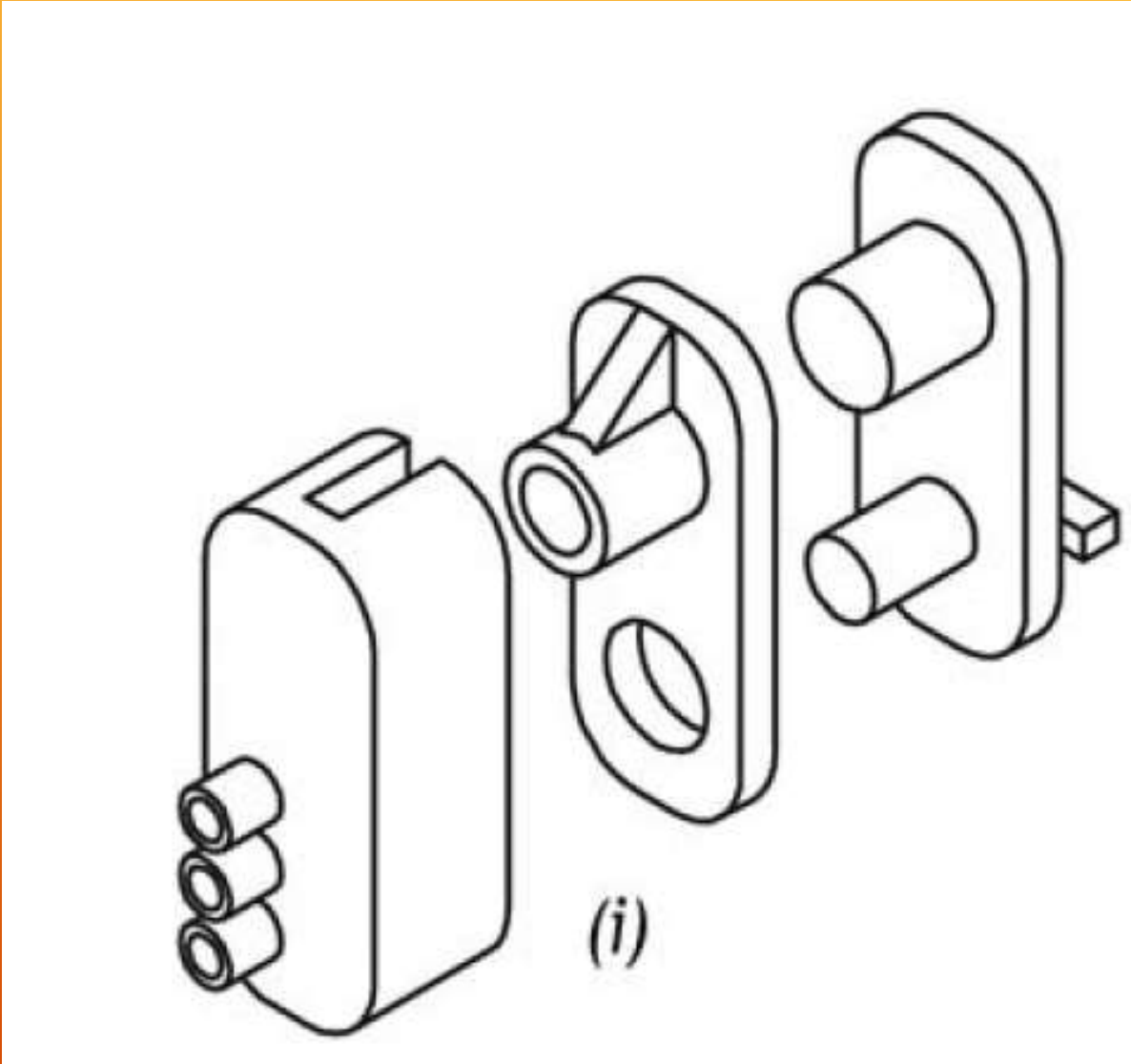
Step 2



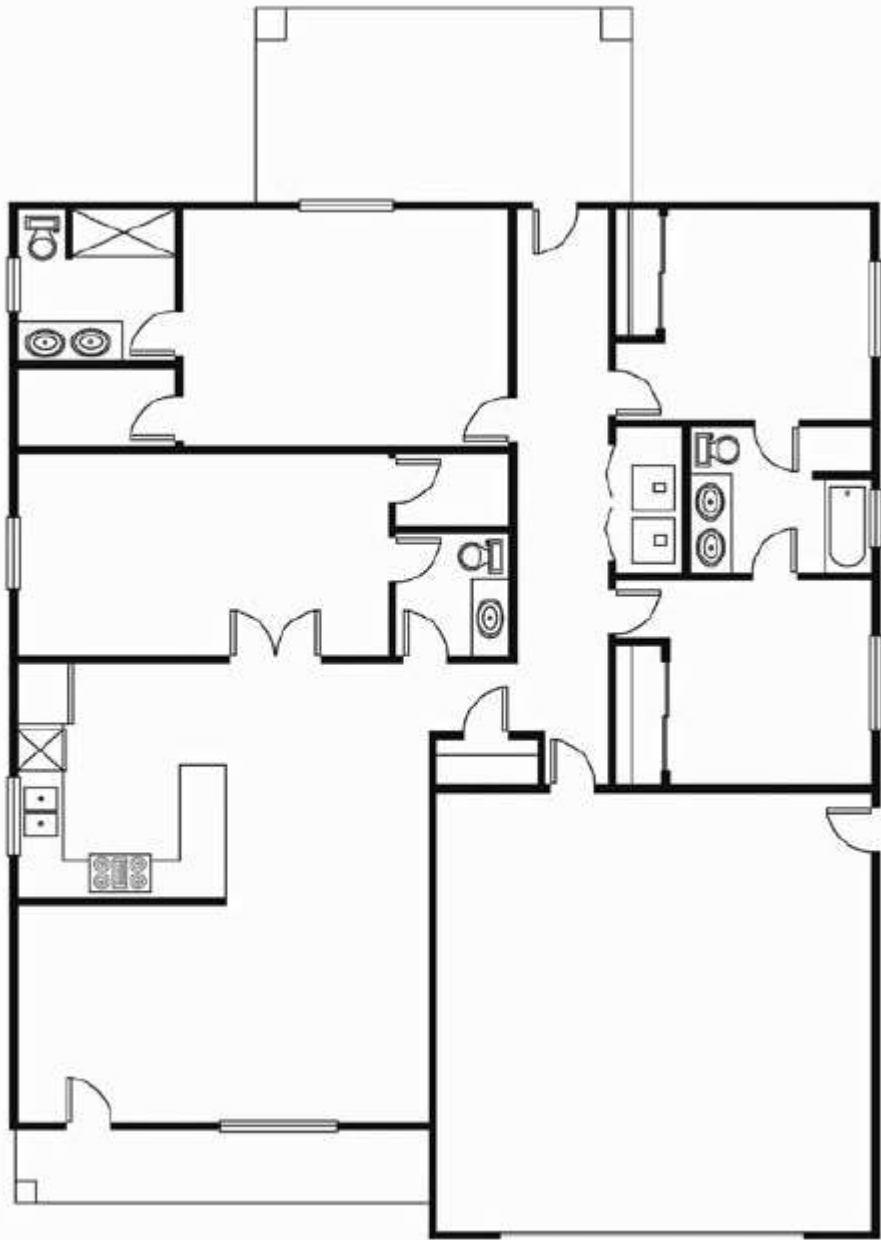
Step 3



Step 4



28 What sort of drawing is shown here?



29 What is the name of this type of drawing?

30 What is a CAD Library used for?



Answers

1. Site Plan
 2. No
 3. Contour Lines
 4. 1:200
 5. Sawn Timber
 6. Concrete
 7. Orange, Green, Violet
 8. Green
 9. Red, Orange, Yellow
 10. Blue, Green Violet
 11. White Space
 12. Unity
 13. Shadow
 14. Excitement, Danger
 15. Sans Serif
 16. Left Justification
 17. Alignment
 18. Socket
 19. Window – Side Hung
 20. Development
 21. True Shape
 22. Plan
 23. Flush
 24. Chain
 25. Line
 26. Extrude
 27. Fillet
 28. Exploded Isometric
 29. Floor Plan
 30. Store Regularly Used Components
- 