



Irvine Royal Academy

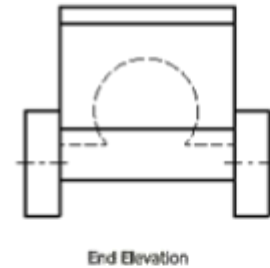
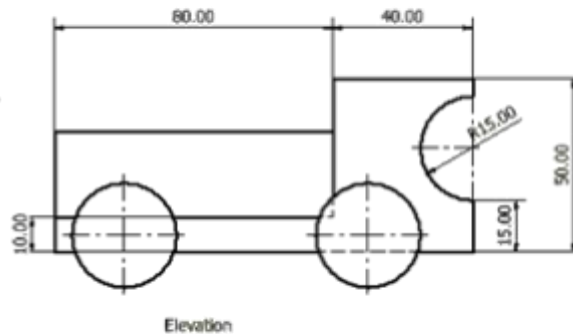
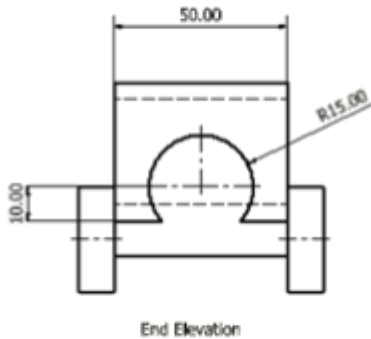
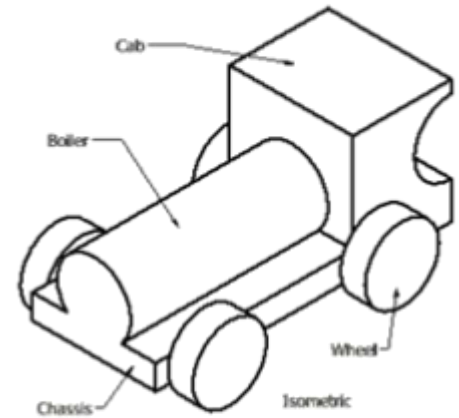
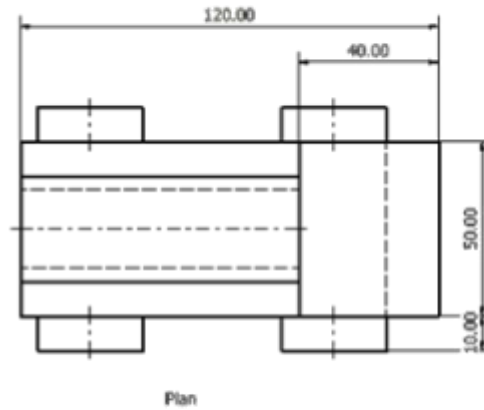
Technical Education Department

Graphic Communication—N5—Homework

Name _____

Date _____

Simple Toy Train



Drawings of a simple toy train are shown above. The train is made out of one single piece (i.e., there are no parts). Make a Modelling Plan to show how to build the toy train. You will probably have a minimum of eight stages.

WORD BANK: Sketch, Dimension, Extrude, Subtract, Diameter, Circle, Centre, Rectangle, Millimetre, Radius, etc.