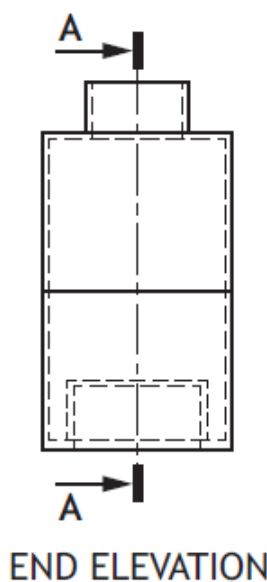
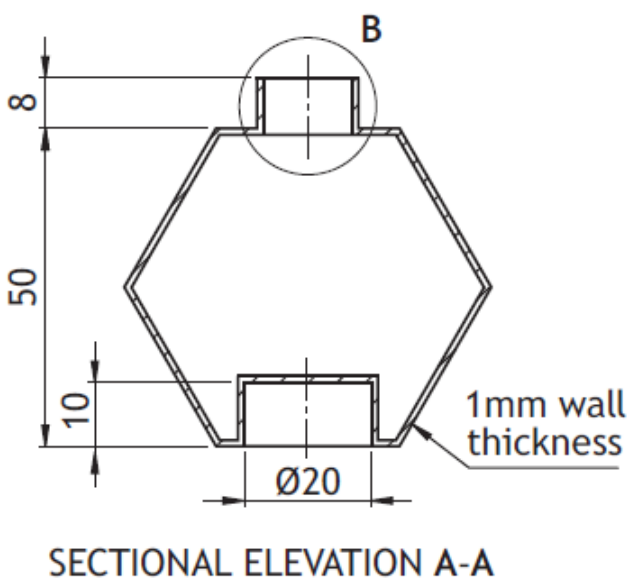
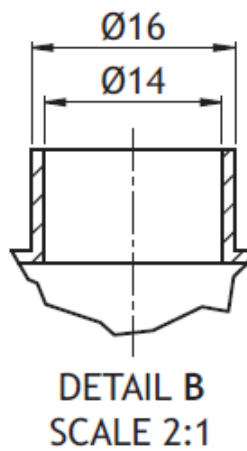
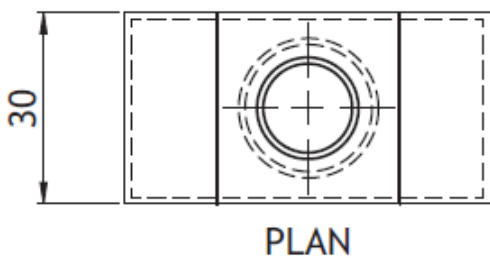


A new line of nail varnishes has been produced by a cosmetics manufacturer. The bottles are stackable for ease of storage and display. 3D CAD illustrations are shown above.

Orthographic drawings and a pictorial view of the bottle body are shown below.



Describe, using the correct dimensions and 3D CAD modelling terms, how you would use 3D CAD software to model the bottle body. You may use sketches to support your answer.

