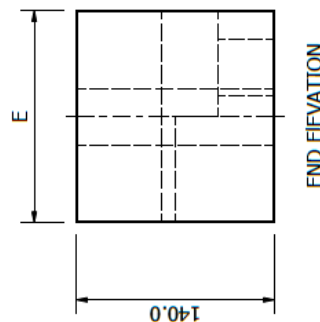
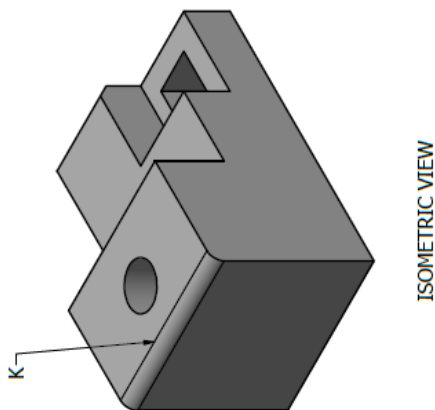
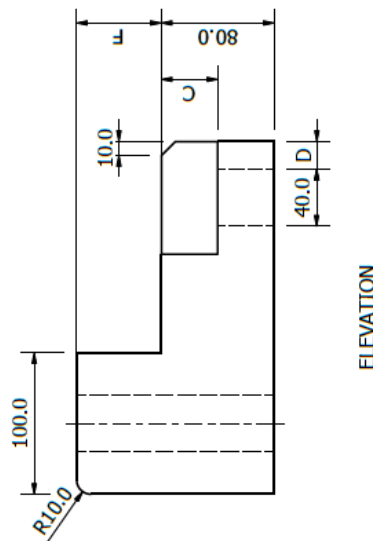
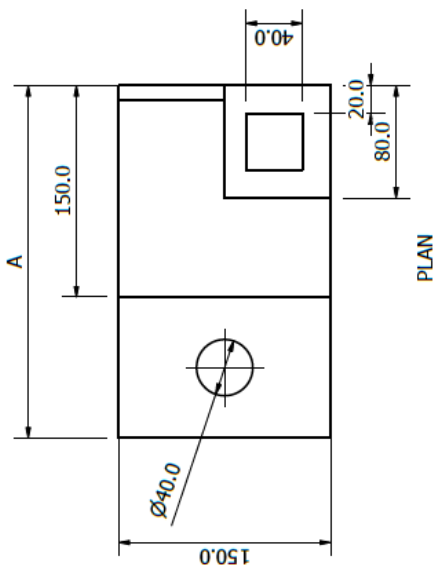
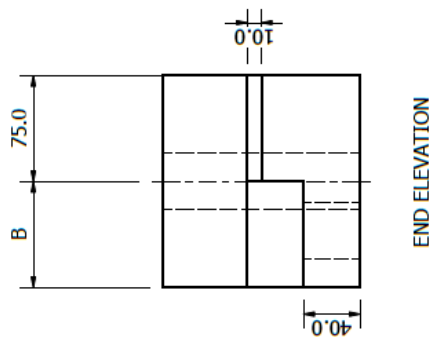
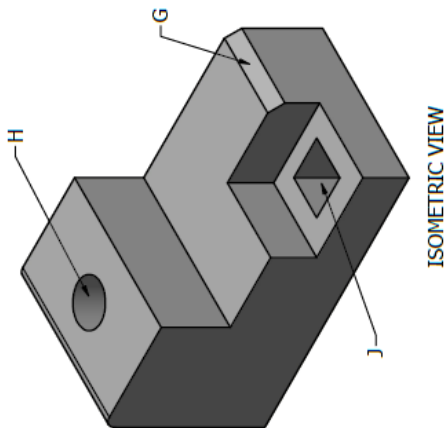


Reading Dimensions

In Graphic Communication we need to be able to understand CAD drawings and work out information from them. One thing we might need to find out is the size of certain parts. On the drawing below find out the sizes of missing dimensions, A, B, C, D, E, and F. It is possible to work out the sizes using information given elsewhere on the drawing. **DO NOT TRY TO MEASURE THE SIZES.** Then answer the last four questions, G, H, J and K.



What is the size of the following:

A
B
C
D
E
F

What is the name of feature G?

How deep is Hole H?

How deep is hole J?

What is the name of feature K?