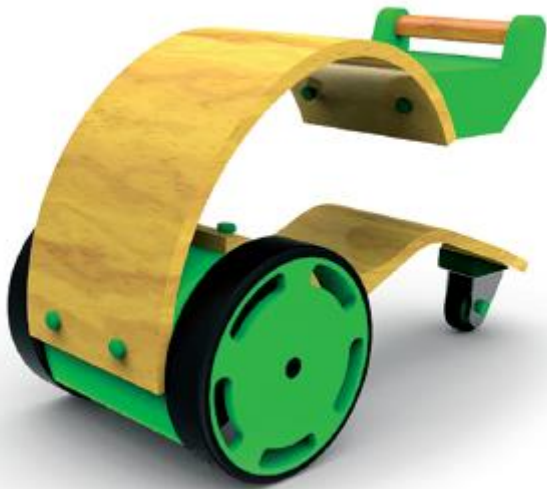


Irvine Royal Academy—Technical Department S3/S4 Graphic Communication Homework 3D CAD Drawings 1

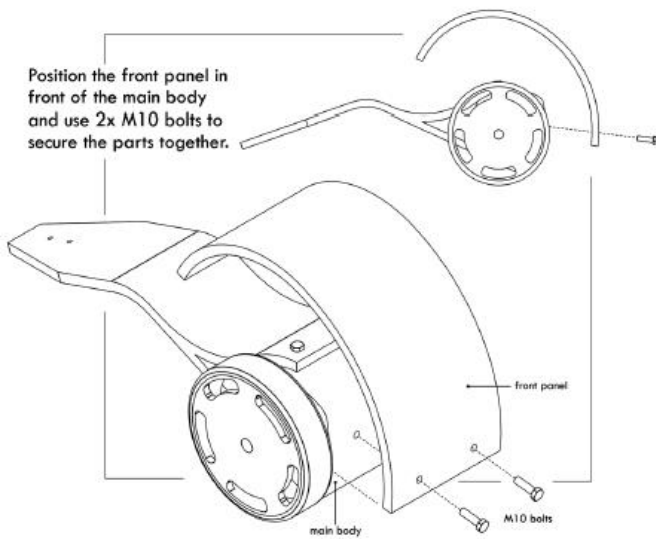


A 3D Cad illustration of the self-assembly children's toy is shown to the left.

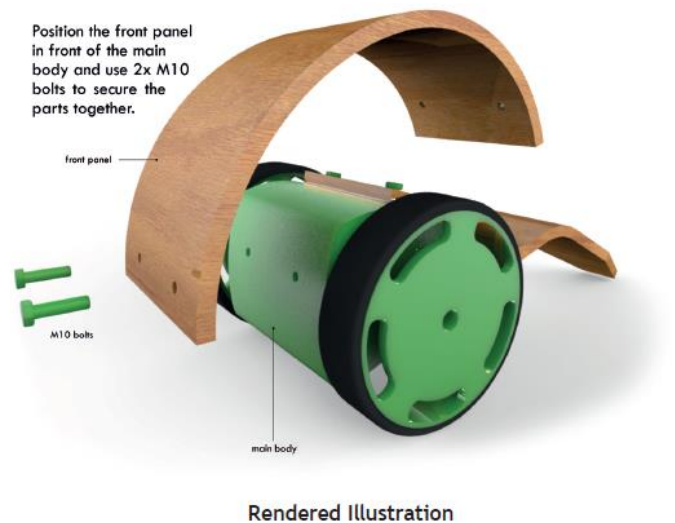
1. Explain two reasons why this type of graphic would be useful in the promotion of the toy.

[2]

The toy is made up of a number of parts. Two samples of assembly instructions are shown below: an exploded isometric drawing and a 3D CAD illustration.



Exploded Isometric Drawing



Rendered Illustration

The designers need to decide on either exploded isometric drawings or rendered illustrations to be used in the assembly instructions.

2. Explain one advantage and one disadvantage of each graphic. Ensure you do not use the same answer more than once.

Exploded Isometric

Advantage _____

Disadvantage _____

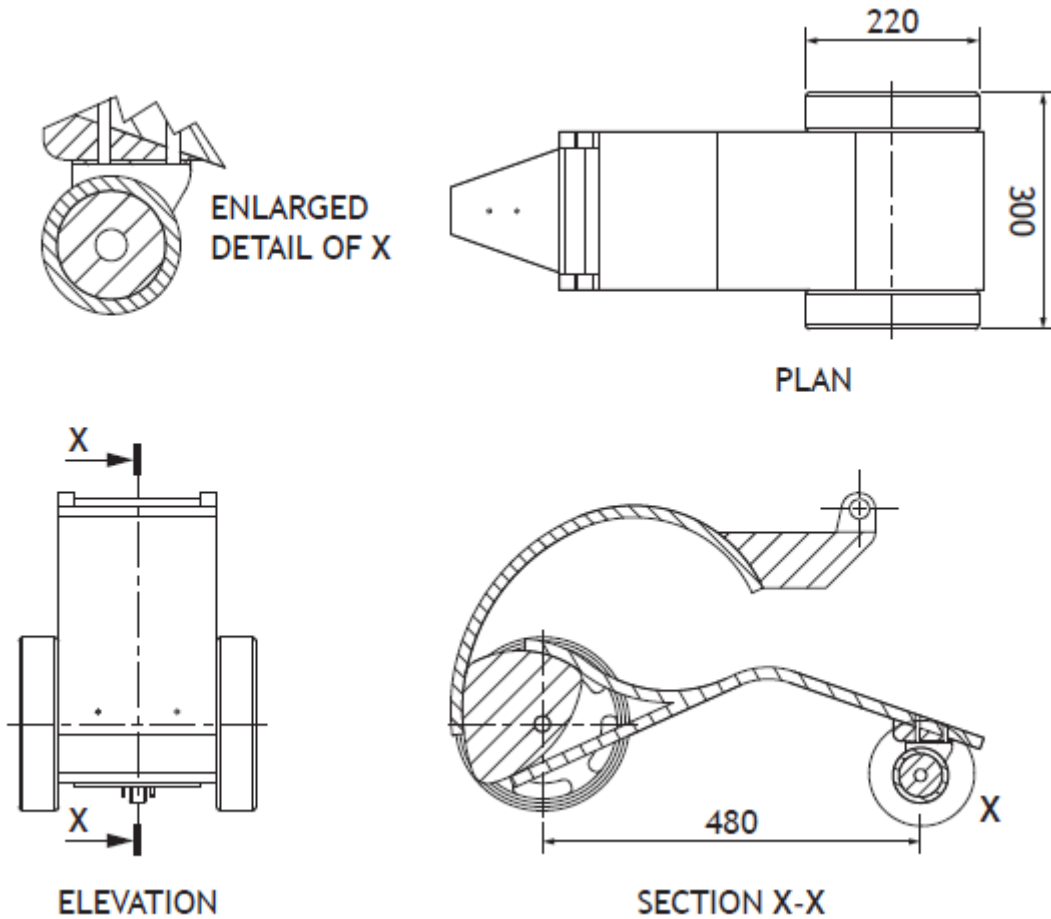
3D CAD illustration

Advantage _____

Disadvantage _____

[4]

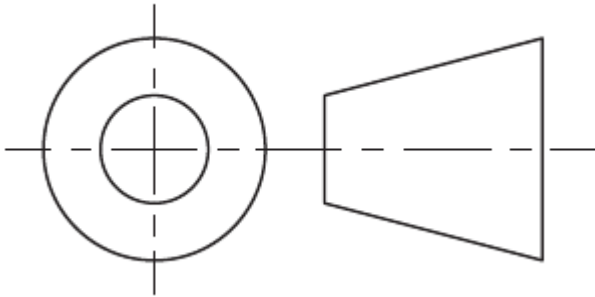
An orthographic drawing of the children’s toy is shown below. The orthographic drawing contains errors that do not conform to British Standards.



3. State six errors on the orthographic drawing.

[6]

A title block is to be added to the final orthographic drawing. The title block will include the symbol shown below.



4. Describe the purpose of this symbol.

[1]

State **three** other pieces of information that should be included in a title block.

[3]