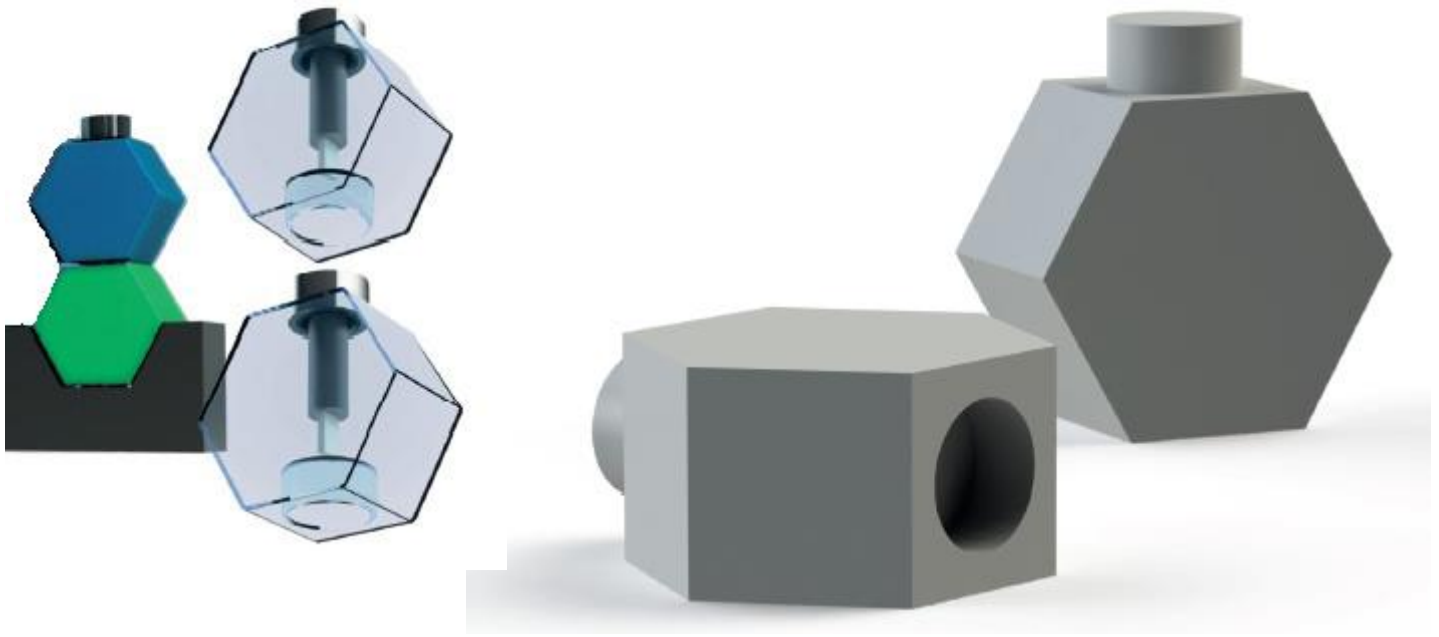
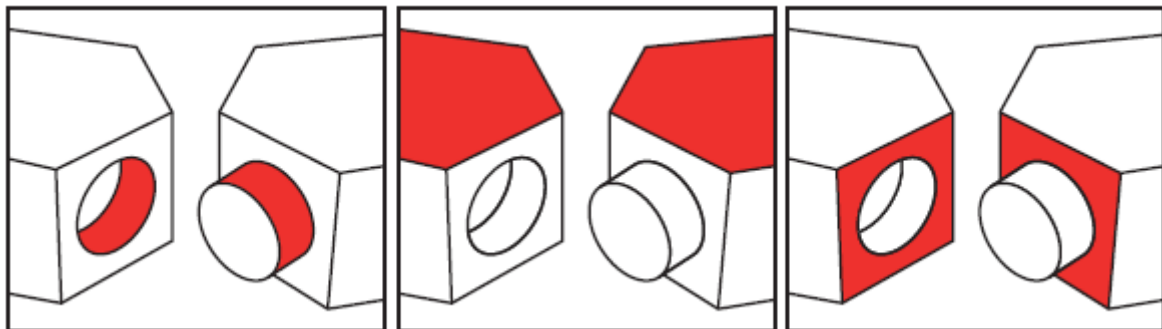


Irvine Royal Academy—Technical Department
S3/S4 Graphic Communication Homework
3D CAD Assemblies



Two views of a hexagonal bottle are shown above right, along with a detail of how they would be stacked.

1. State, using 3D CAD terms, how you would assemble and constrain the components shown above. The corresponding surfaces and/or edges have been indicated in red for you. [3]



Constraint Used

Constraint Used

Constraint Used

H14

Irvine Royal Academy—Technical Department S3/S4 Graphic Communication Homework 3D CAD Assemblies

Illustrated views of two blocks that join together are shown to the right.

The blocks are joined by connecting locating pegs and sockets.

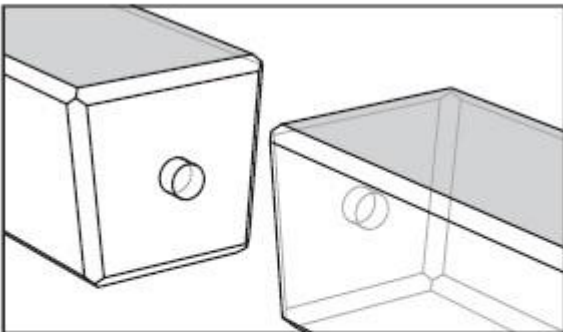
2 Name the constraint used at each stage, constraining the area that has been shaded.



Locating peg

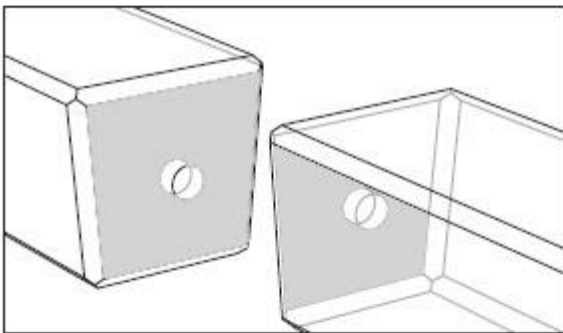
Socket

Stage one



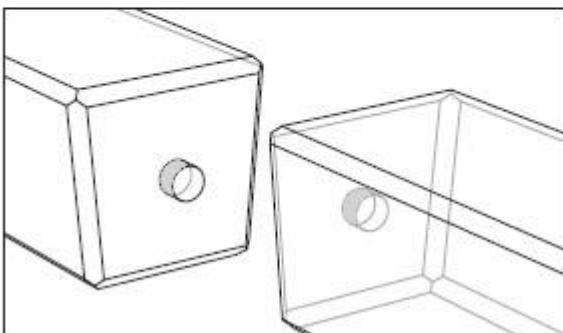
Constraint used

Stage two



Constraint used

Stage three



Constraint used

[3]