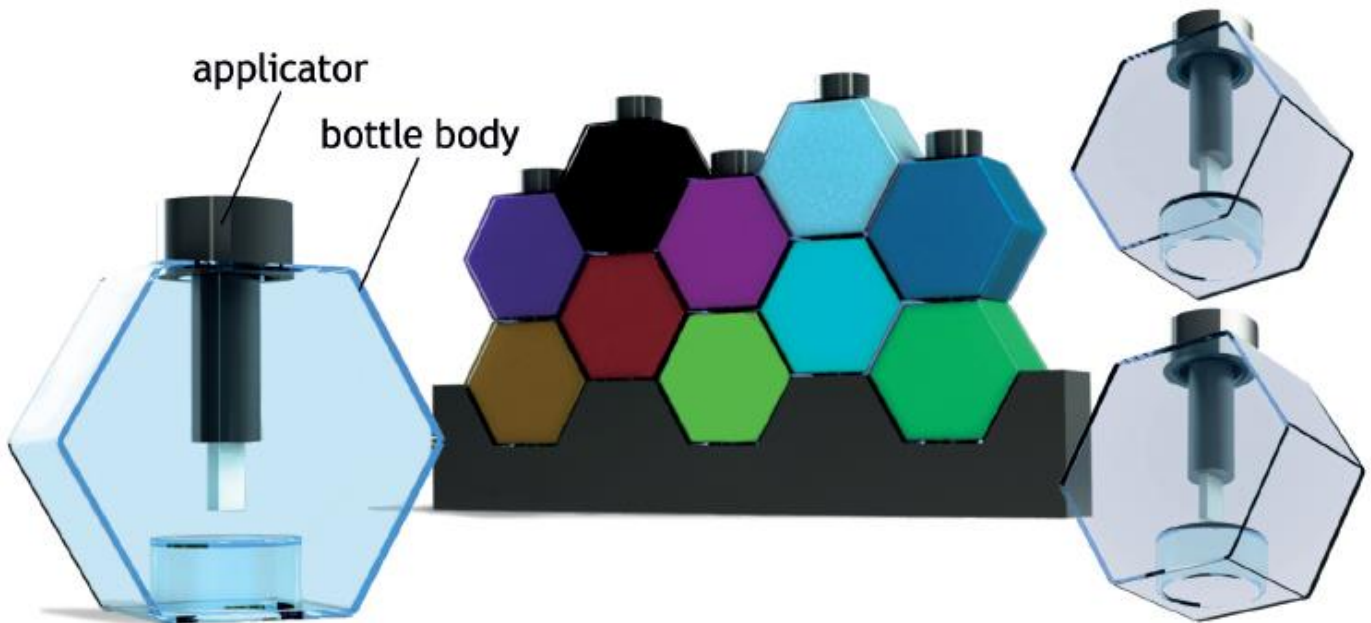
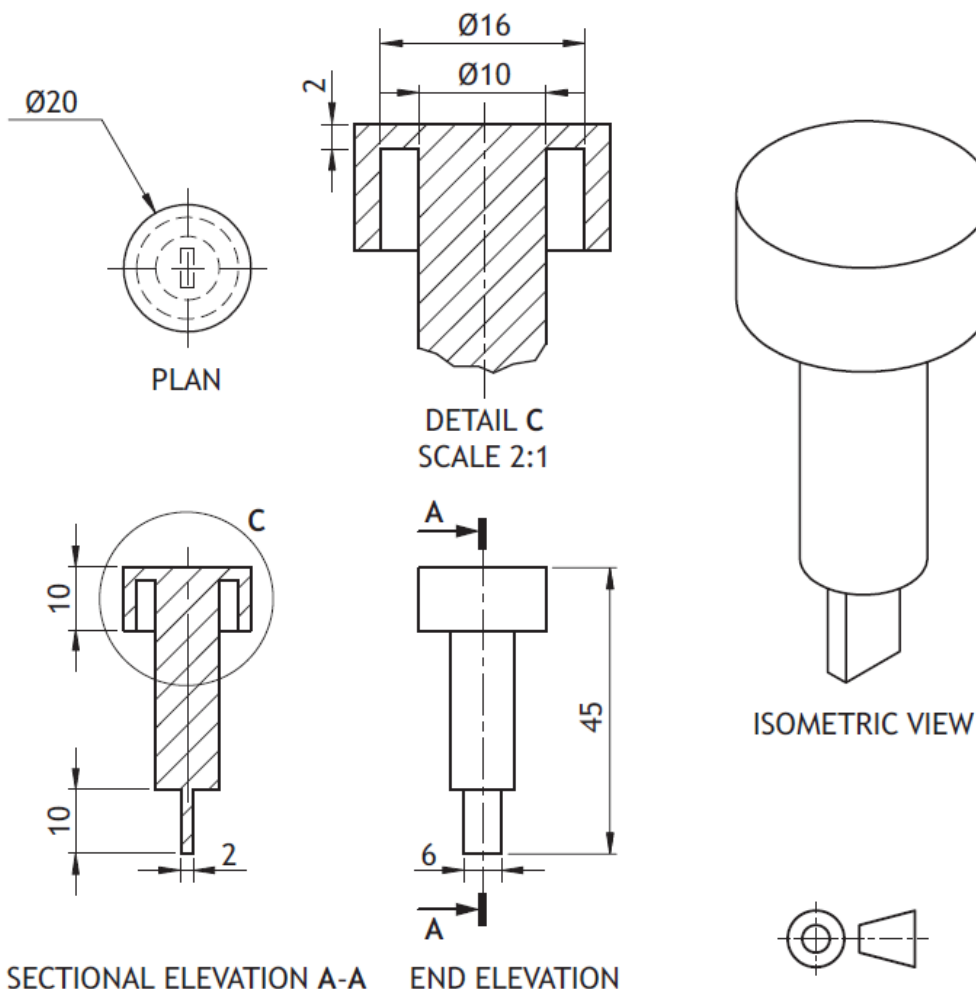


Irvine Royal Academy—Technical Department
S3/S4 Graphic Communication Homework
Modelling Plan 2



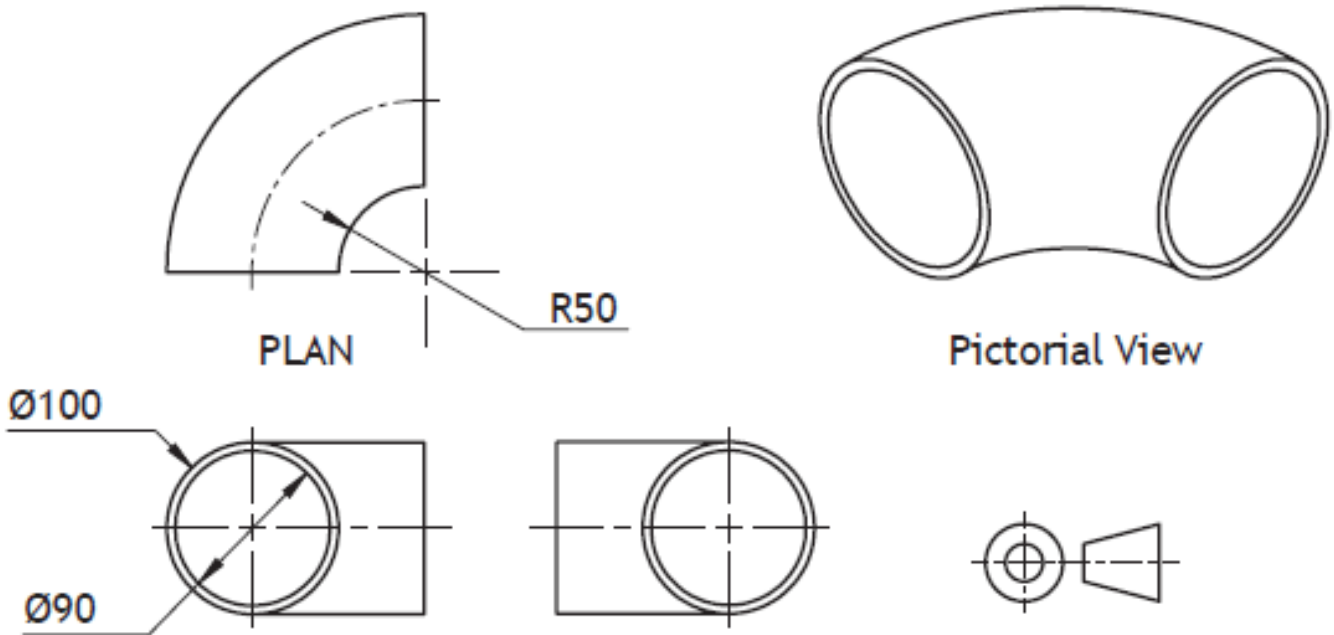
A new line of nail varnishes has been produced by a cosmetics manufacturer. The bottles are stackable for ease of storage and display. 3D CAD illustrations are shown above.

Orthographic drawings and a pictorial view of the applicator are shown below.



1 Describe, using the correct dimensions and 3D CAD modelling terms, how you would use 3D CAD software to model the applicator. You may use sketches to support your answer. [4]

Irvine Royal Academy—Technical Department
S3/S4 Graphic Communication Homework
Modelling Plan 2



Orthographic drawings and a pictorial view of a type of plastic pipe corner is shown above.

2 Describe, using the correct dimensions and 3D CAD modelling terms, how you would use 3D CAD software to model the plastic pipe. You may use sketches to support your answer. [3]